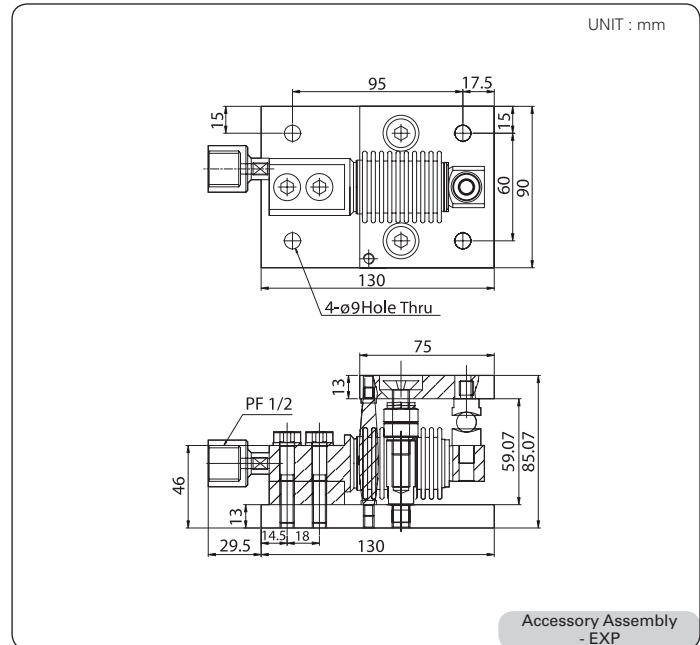
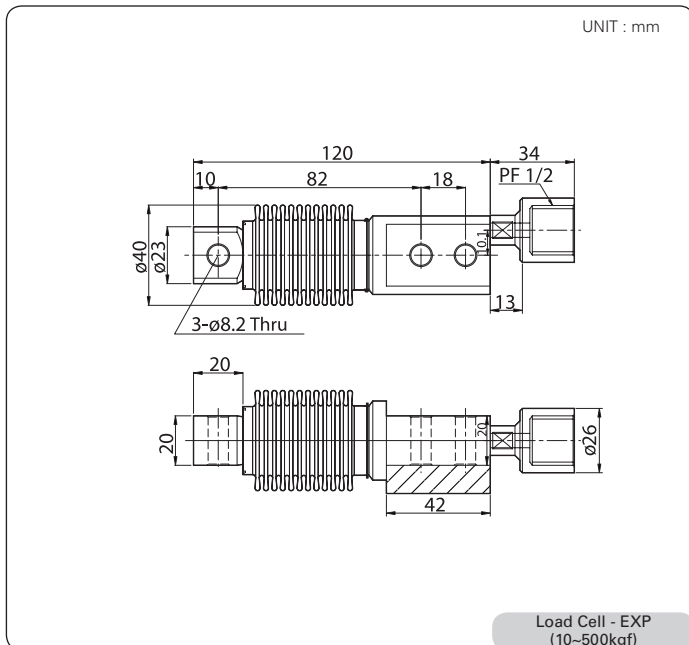
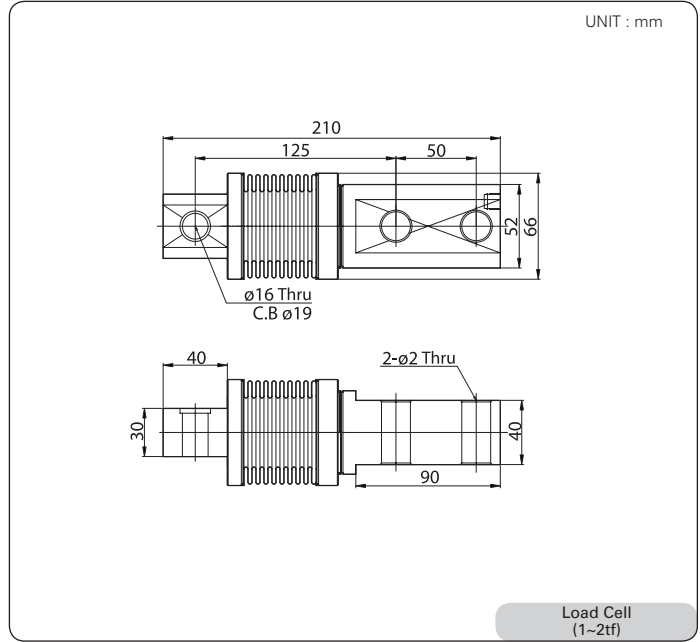
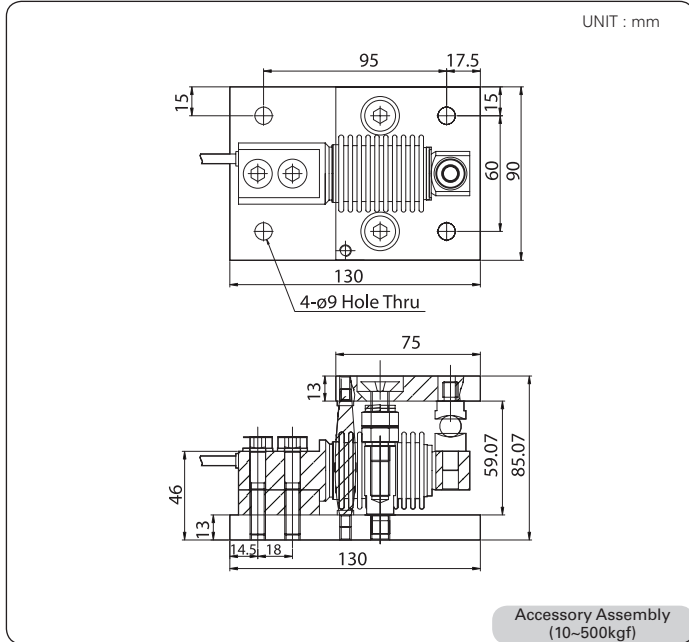


HBS

Bending Beam Load Cell



● DIMENSION



SINGLE POINT
BENDING & SHEAR
S-BEAM
CANISTER
PANCAKE & MINITURE
TRUCK & TANK WEIGHING
SPECIAL APPLICATION